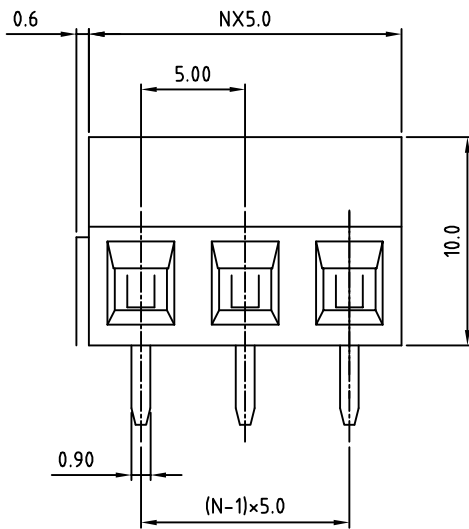
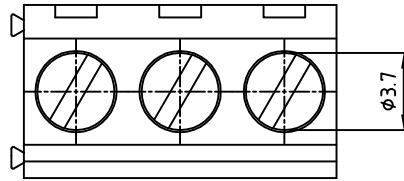


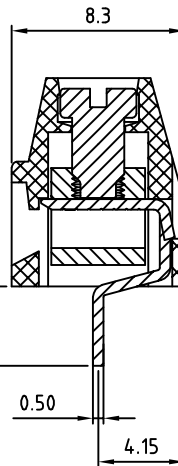
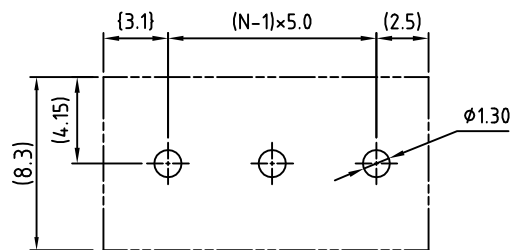
SIGN	DATE	DESCRIPTION	APPROVER

THIS IS CAD DRAWING, DO NOT REVISE MANUALLY!!!



N=Number of contacts

P.C.B. LAYOUT



**Material**

- Terminal body
- (metal housing): Brass(CuZn)
- Terminal screw: Steel Zinc plating "-" slot type
- Contacts: Brass
- Surface of solder tail: Tin plated
- Insulator (housing): Thermoplastic (UL94V-0)

**Electrical UL / VDE**

- Voltage rating: 300VAC/250VAC
- Current rating: 10A/10A
- Wire range: 0.5-1.5mm<sup>2</sup>  
Solid wire(AWG): 16-26  
Stranded wire(AWG): 16-26
- Torque: 3.5Lb-In/0.4N.m
- Screw: M2.5
- Wire strip length: 5-6mm
- Withstanding Voltage: 1.6KV/2KV
- Operating temperature: -30°C to +105°C
- Soldering temperature: 250°C±10°C/5 Sec
- Safety Approval:

RoHS Compliant

OSTTOXX0152

No. of Poles

- 02: 2 Poles
- 03: 3 Poles
- ...
- 24: 24 Poles

COLOR:

- 0: Black
- 5: Green (Standard)
- 6: Blue
- 8: Grey



THESE DRAWINGS AND SPECIFICATIONS ARE THE PROPERTY OF ON-SHORE TECHNOLOGY, INC. AND SHALL NOT BE REPRODUCED, COPIED OR USED IN ANY MANNER WITHOUT THE PRIOR WRITTEN CONSENT OF ON-SHORE TECHNOLOGY, INC.

TITLE		OSTTO 5.0mm Series		DWG NO.		OSTTOXX0152.DWG	
PART NO.		OSTTOXX0152		CUST NO.		Tolerance	
APPROVED	CHECKED	DESIGNED	DRAWN	UNIT: mm		X.	±0.50
Shi Jun 2006.10.20	Shi Jun 2006.10.20	xionghaitao 2006.10.20	xionghaitao 2006.10.20	SCALE: NONE		X.X	±0.30
				SHEET: 01/01		X.XX	±0.10
				REV.: E		X°	±1°